

FACADE ACCESS



[SAYFAGROUP.CO.UK](http://SAYFAGROUP.CO.UK)

**SAYFA** 

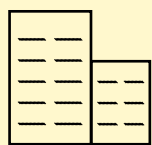
EDGESEIL™

DAVIT ARM SYSTEM

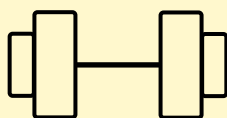
# TOOL FREE ROPE DEVIATION FOR ABSEIL

The Working At Height 2005 Act necessitates a safe system of work at height for maintenance of all buildings. Davit systems are now an essential solution for Cleaning & Maintenance Strategies.

The EdgeSeil™ Davit is a three piece rope deviation point designed for lifting and lowering personnel and materials and complies with EN795:2012, PD CEN/TS 16415 and BS8610:2017.



PART OF A FULL  
EDGESEIL PRODUCT  
FAMILY



HIGH STRENGTH  
LONG LIFE  
MATERIALS



THIRD PARTY  
APPROVED AND  
TESTED



HORIZONTAL OUTREACH  
1500 - 3000MM



VERTICAL HEIGHT 1500 -  
3000MM



SAFER ROPE DEVIATION



VARIOUS BASE OPTIONS  
FOR EACH APPLICATION



## PRODUCT INFORMATION

The Sayfa EdgeSeil™ Davit is manufactured from 6082-T6 structural aluminium and polyester powder coated 304 grade stainless steel.

Assembled from component form for quick, easy, and safe operation with A2 grade stainless pins. The post is slots in to the base and securely pinned in place.

The unit provides clear deviation and tie points

for the abseil line and P66 grade nylon rollers for smooth operation.

The range is available in increments of 500mm in height and reach, up to a 2500mm for each. The size of the arm's height and outreach is dependent on the height of the parapet and proximity of the base to the building edge.

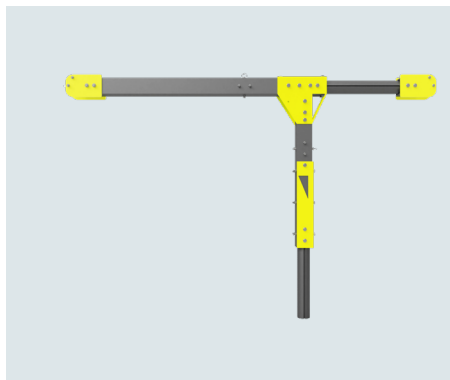
The assembled weight ranges between 36kg - 75kg, with rope access

technicians typically in a team of 3 for safe lifting.

EdgeSeil™ Davit is independently tested and certified by SATRA. Technical Data Sheets, CAWS Format NBS specifications and level 2 BIM files are all available.

Depending on specification, service life varies between 20 and 60 years, with warranties between 10 and 30 years.

## STANDARD DAVIT DIMENSIONS



ESD1500.1500.2U



ESD2000.1500.2U



ESD2500.1500.2U

1500mmx1500mm

2000mmx1500mm

2500mmx1500mm

1500mmx2000mm

2000mmx2000mm

2500mmx2000mm

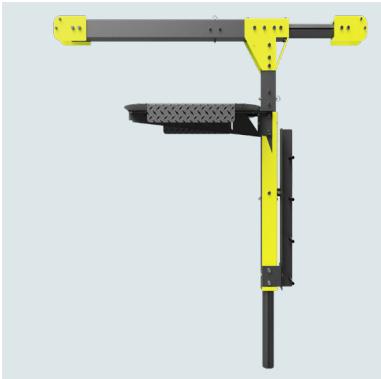
1500mmx2500mm

2000mmx2500mm

2500mmx2500mm



## ATTACHMENTS



### Ladder + Platform Attachment

The ladder + platform attachment for the davit arm is available for use with all arm heights and outreaches. The purpose of the platform + ladder is to allow the user access to the building facade over any non-load bearing parapet and glazed balustrading.



### Winch Bracket Attachment

The Winch Bracket is available as an attachment for the davit arm which allows for easy installation of a manual or motorised winch. The bracket is mounted on the upright of the Davit for easy access to the winch handle for raising and lowering the materials.

Winches are used to move goods and materials along a building facade.

## DESIGN & INSPECTION

Design of Roof Safety and Facade Access systems should be in accordance with BS7883:2019.

Sayfa Group products are independently test and compliant to all current standards.

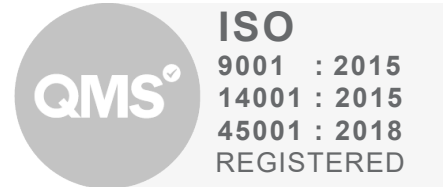
The ongoing use of these systems is subject to legislation that applies to the building owner or tenant. Operations and Lifting Equipment Regulations 1998 and The Provision and Use of Work Equipment Regulations 1998 apply.

All inspections of personal protective equipment should be in accordance with BS EN364:1993 and BS EN354:2010.

Please contact us for more information.

*“The range of roof safety and abseil solutions as well as service from Sayfa team, ensured this Grade I listed building maintained it’s architectural integrity. These John Nash neoclassical building can be safely maintained for many years to come”*

Design Manager, Regents Crescent



## GET IN TOUCH

SAYFAGROUP.CO.UK

ENQUIRIES@SAYFAGROUP.CO.UK

UNIT B1 - RESEARCH POINT  
SHEPSHED,  
LEICESTERSHIRE,  
LE12 9NH

+44 1509 502 273

