

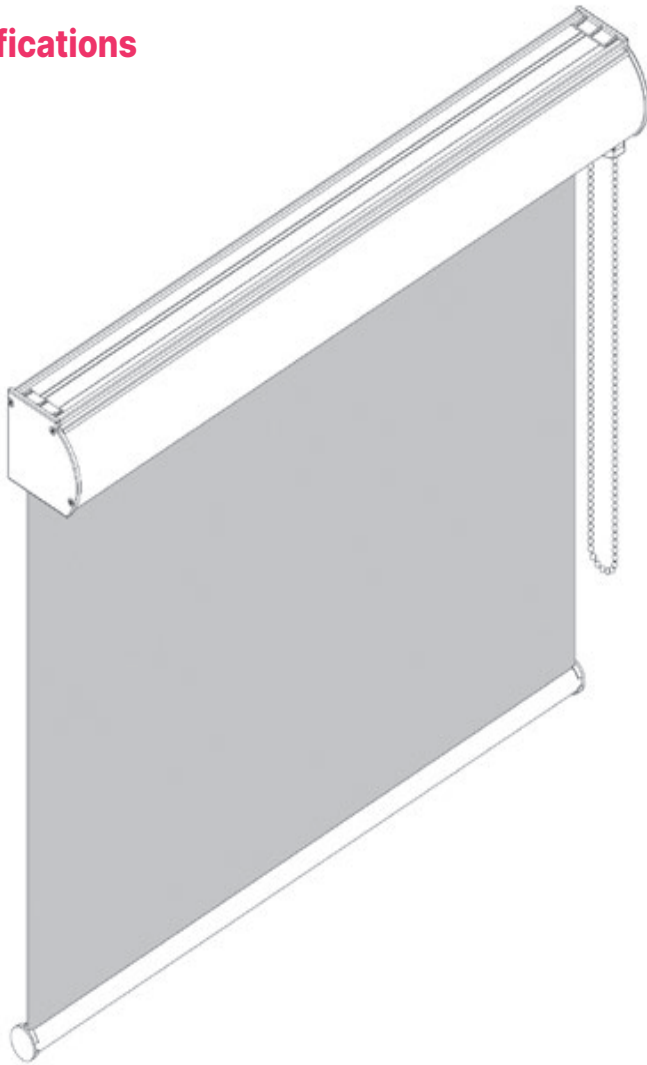
TECHNICAL INFORMATION

BLIND TYPE	SEMI-CASSETTE ROLLER BLIND
FUNCTION	INTERNAL SHADING
MAXIMUM WIDTH	UP TO 2000 MM
MAXIMUM DROP	UP TO 2500 MM
MAXIMUM SURFACE AREA	4 M ² (FABRIC DEPENDANT)
OPERATING OPTIONS	MANUAL, MOTORISED
PRODUCT WARRANTY	5 YEARS
BARREL DIMENSIONS	45 MM
BARREL MATERIAL	ALUMINIUM
CHAIN TYPE / STYLE	NYLON / METAL
ADDITIONAL FEATURES	RAL COLOUR MATCHED CASSETTE
BOTTOM BAR DESIGN	EXPOSED OR FABRIC COVERED

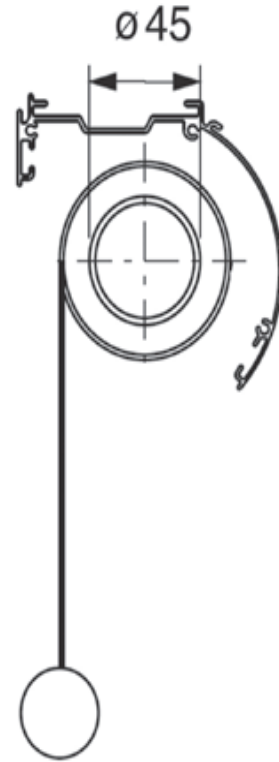


SPECIFICATION

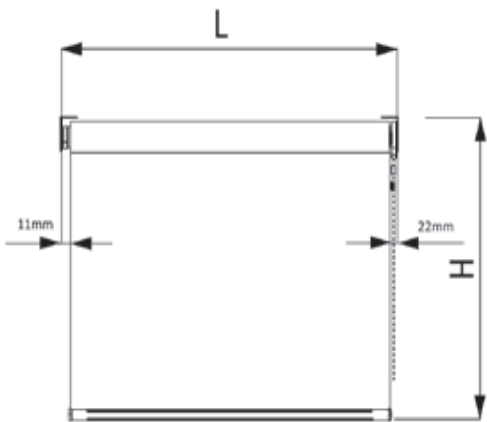
SC45 Specifications



Fixing



Light Gap



Profile size

