

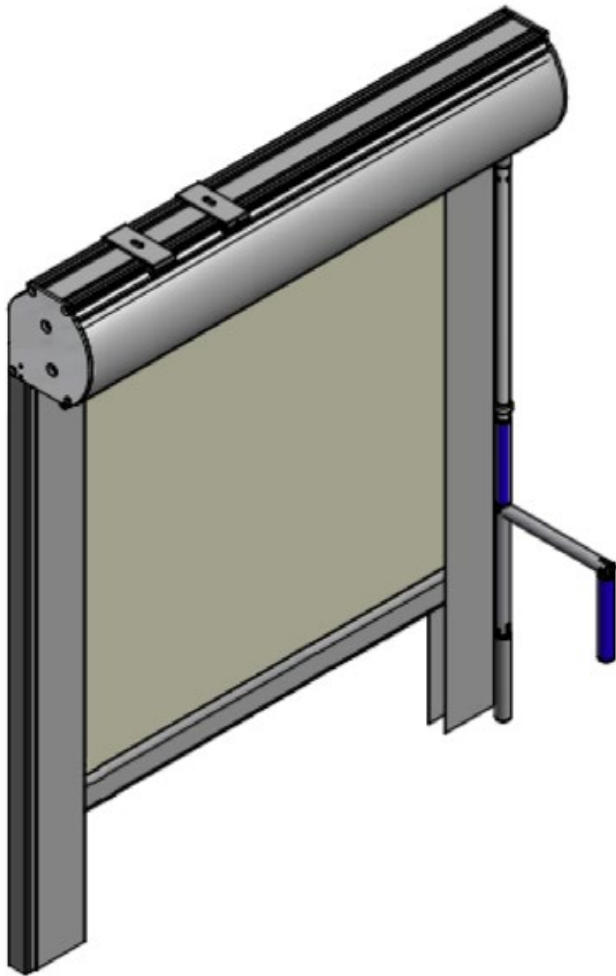
## TECHNICAL INFORMATION

BLIND TYPE	CASSETTE ROLLER BLIND
FUNCTION	INTERNAL SHADING
MAXIMUM WIDTH	UP TO 4000 MM
MAXIMUM DROP	UP TO 3200 MM
MAXIMUM SURFACE AREA	18 M <sup>2</sup> (FABRIC DEPENDANT)
OPERATING OPTIONS	MANUAL, MOTORISED
PRODUCT WARRANTY	5 YEARS
BARREL DIMENSIONS	78 MM
BARREL MATERIAL	ALUMINIUM
MANUAL TYPE / STYLE	FIXED / DETACHABLE CRANK
ADDITIONAL FEATURES	RAL COLOUR MATCHED CASSETTE
BOTTOM BAR DESIGN	EXPOSED

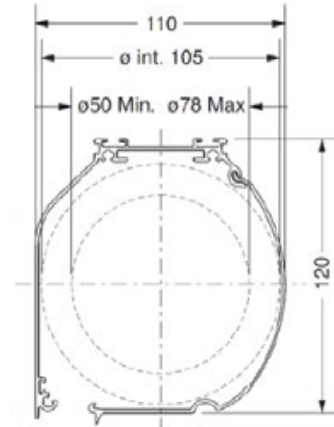


# SPECIFICATION

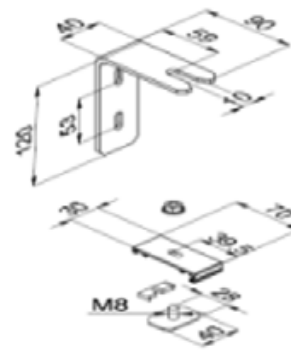
## C110 Specifications



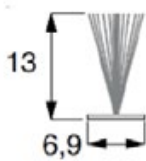
Headbox



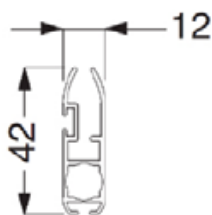
Brackets



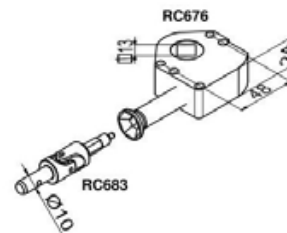
Brush Strip



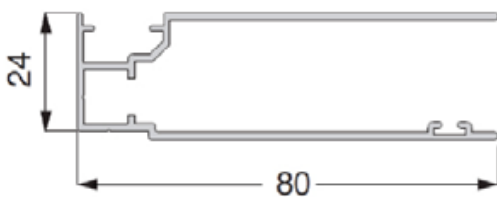
Bottom Bar



Crank



Side Channel



Bracket Detail

